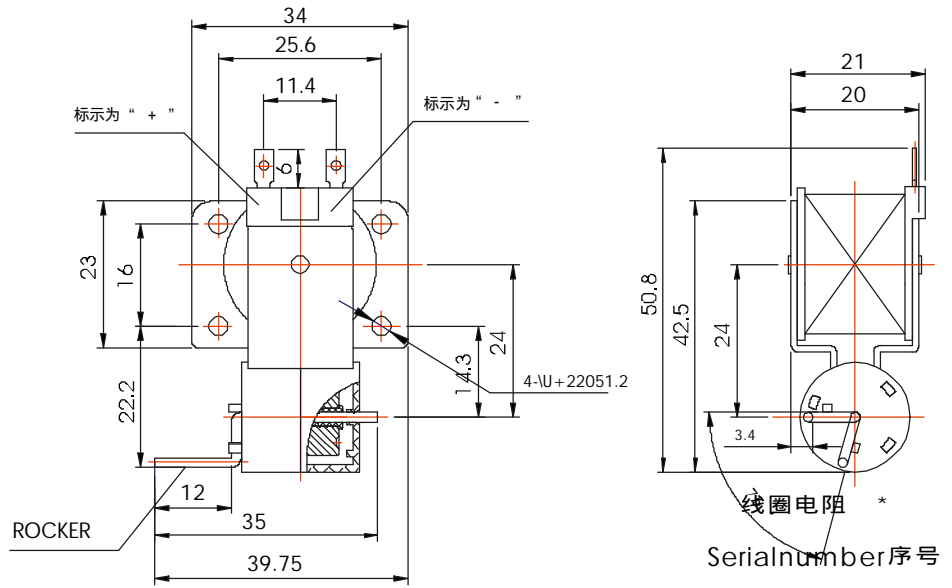
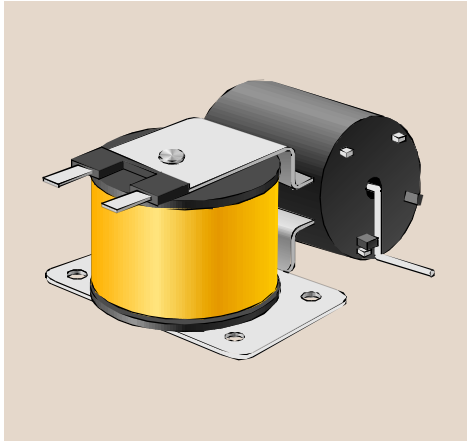


SDB1 ROTARY TYPE SOLENOID



Tubedia(mm) 圆筒直径(mm)

Tubelength(mm) 圆筒长度(mm)

ORDERING INFORMATION
代号编排

ZANTY 宗泰 **SD B 1 - 03 A 58** Coil Resistance 线圈电阻 : 58 Ω

Rotary type Solenoid 摆动式电磁铁 Serial number 序号

Series 1 1系列 Voltage 电压 :03:DC3V

This solenoid is used for component of coin-phone. When polarity of power supply is changed, the rocker will move to another position.
The torque of rocker: when voltage is DC 3V, the torque is 18gf X r

动作周期 (100%) ON时间/ON时间+OFF时间 Dutycycle(100%) "ON"time/"ON"time+"OFF"time		100%	50%	25%	10%
		连通 continuous	间断 intermittent		
最大ON时间 (秒) MAX "ON"Time insecond		-	100	36	7
20°C 时的功率 wattat20°C		4	8	16	40
型号 TYPE Number	电阻 resistanceΩ	电压 voltsDC			
SDB1-06A	9	6	8.5	12	19
SDB1-12A	36	12	17	24	38
SDB1-24A	144	24	34	48	76
SDB1-48A	576	48	68	96	152



Shenzhen Zanty Electronics Co., Ltd.

Add.: Building C1,C2,B2, Jihua Industry District, Shenzhen, China
Tel.: (+86 755) 2854-3752
Fax: (+86 755) 2854-3458

P.C.: 518112

E-mail: Sales@Zanty.com
Website: www.zanty.com