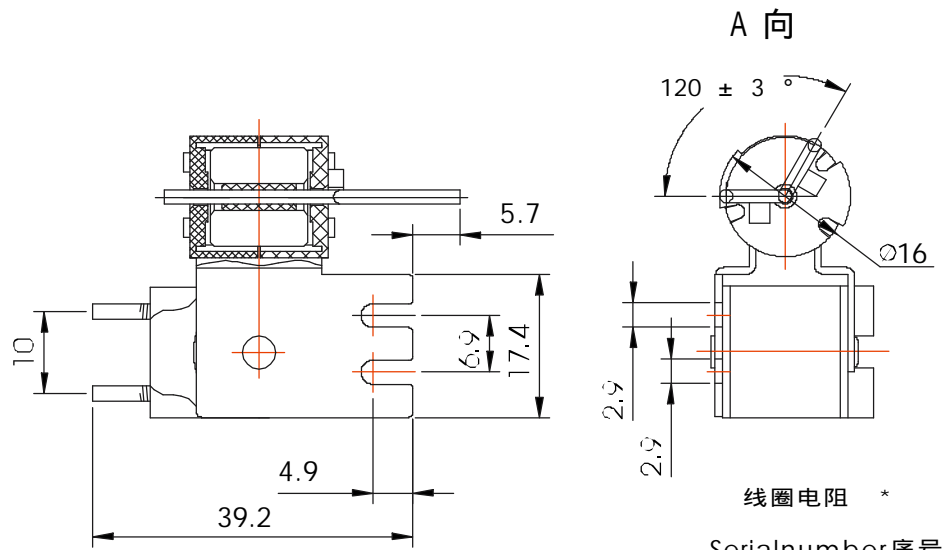
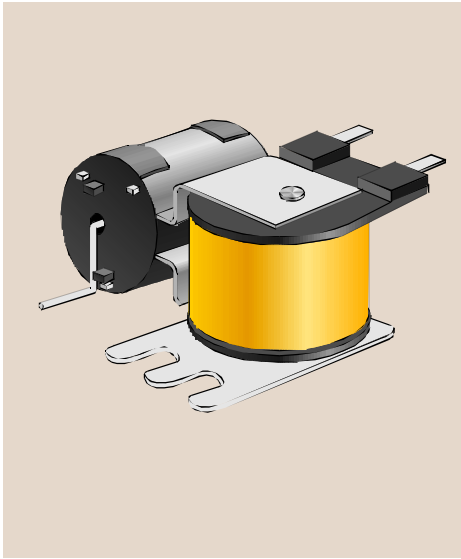


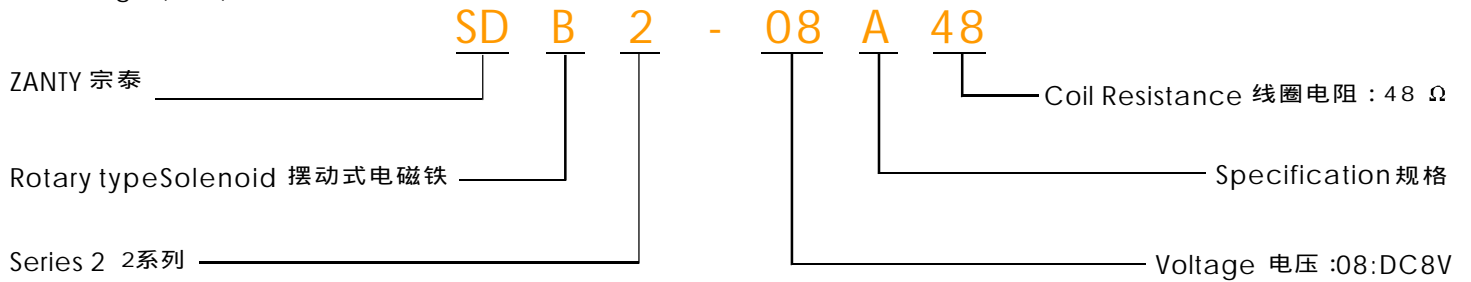
ROTARY TYPE SOLENOID **SDB2**



Tubedia(mm) 圆筒直径(mm)

Tubelength(mm) 圆筒长度(mm)

ORDERING INFORMATION 代号编排



This solenoid is used for component of coin-phone. When polarity of power supply is changed, the rocker will move to another position.
The torque of rocker: when voltage is DC 3V, the torque is 40gf X r

动作周期 (100%) ON时间/ON时间+OFF时间 Dutycycle(100%) "ON"time/"ON"time+"OFF"time	100%	50%	25%	10%	
	连通 continuous	间断 intermittent			
最大ON时间 (秒) MAX "ON"Time insecond	-	55	19	3	
20°C 时的功率 wattat20°C	2.4	4.8	9.6	24	
型号 TYPENumber	电阻 resistanceΩ	电压 volts DC			
SDB2-06A	15	6	8.5	12	19
SDB2-12A	60	12	17	24	38
SDB2-24A	240	24	34	48	76
SDB2-48A	960	48	68	96	152



Shenzhen Zanty Electronics Co., Ltd.

Add.: Building C1,C2,B2, Jihua Industry District, Shenzhen,China P.C.:518112

Tel.:(+86 755) 2854 3752

Fax:(+86 755) 2854-3458

E-mail: Sales@Zanty.com

Website: www.zanty.com