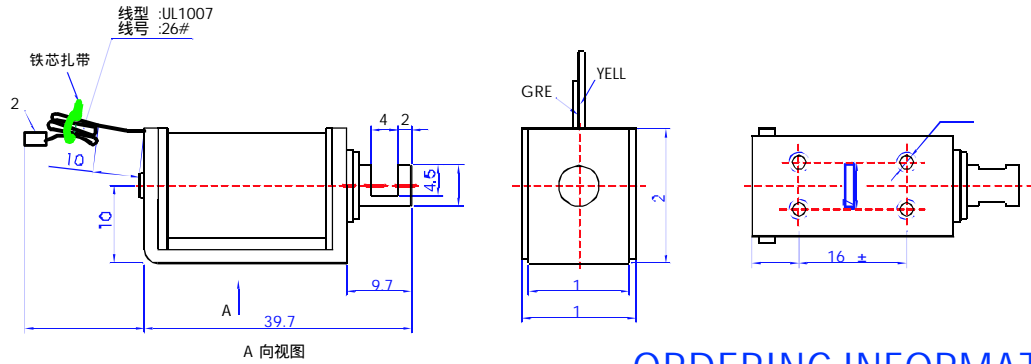
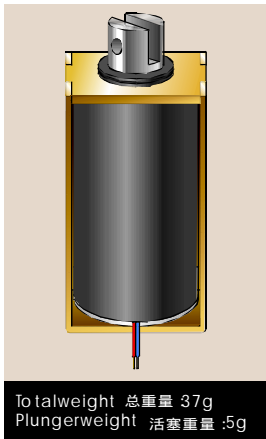
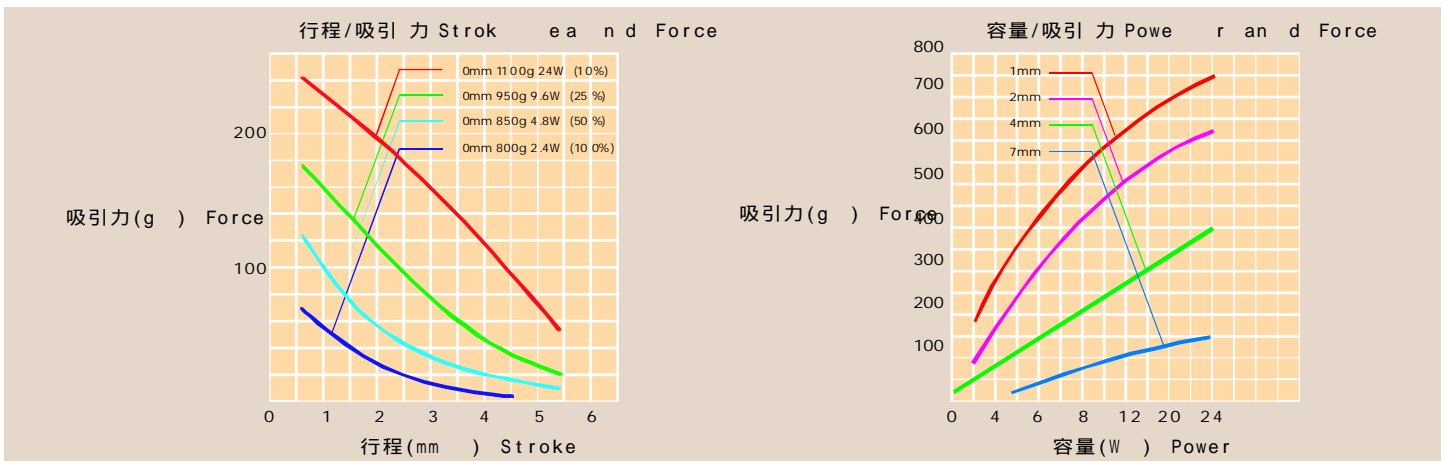


# SDC-0630L OPEN FRAME SOLENOID



## ORDERING INFORMATION 代号编排

**SD** ZANTY 宗泰  
**C-06** Open Frame Solenoid 开置式螺线管  
**30** Plunger dia(mm) 滑杆直径(mm)  
**L** Frame length(mm) 框架长度(mm)  
**\*** Coil Resistance 线圈电阻 : \* Ω  
**\*** Serial number 序号  
**\*** Voltage 电压 :06:DC6V 12:DC12V 24:DC24V 48:DC48V  
**L**: PullType 吸入式 **S**: Push Type 推出式



动作周期 (100%) ON时间/ON时间+OFF时间 Duty cycle(100%) "ON" time/"ON" time+"OFF" time		100%	50%	25%	10%
		连通 continuous	间断 intermittent		
最大ON时间 (秒) MAX "ON" Time in second		-	55	19	3
20°C 时的功率 watt at 20°C		2.4	4.8	9.6	24
型号 TYPE Number	电阻 resistance Ω	电压 volts DC			
SDC-0630L-06A	15	6	8.5	12	19
SDC-0630L-12A	60	12	17	24	38
SDC-0630L-24A	240	24	34	48	76
SDC-0630L-48A	960	48	68	96	152



Shenzhen Zanty Electronics Co., Ltd.

Add.: Building C1,C2,B2, Jihua Industry District, Shenzhen, China P.C.: 518112

Tel.: (+86 755) 2854 3752

Fax: (+86 755) 2854-3458

E-mail: Sales@Zanty.com

Website: www.zanty.com