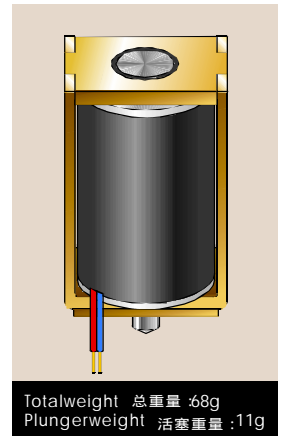
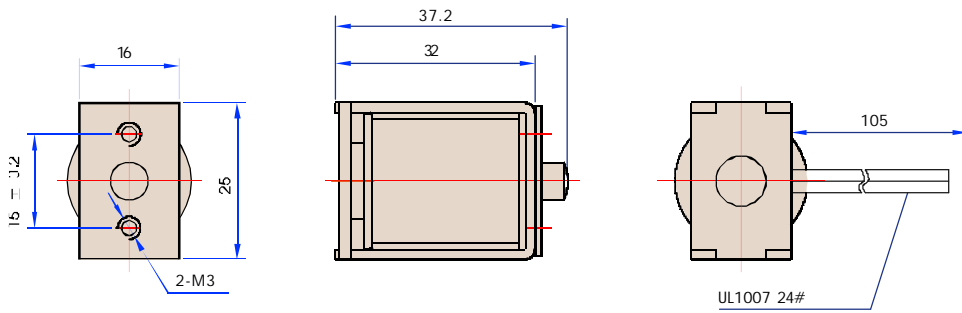


# OPEN FRAME SOLENOID SDO-0832S

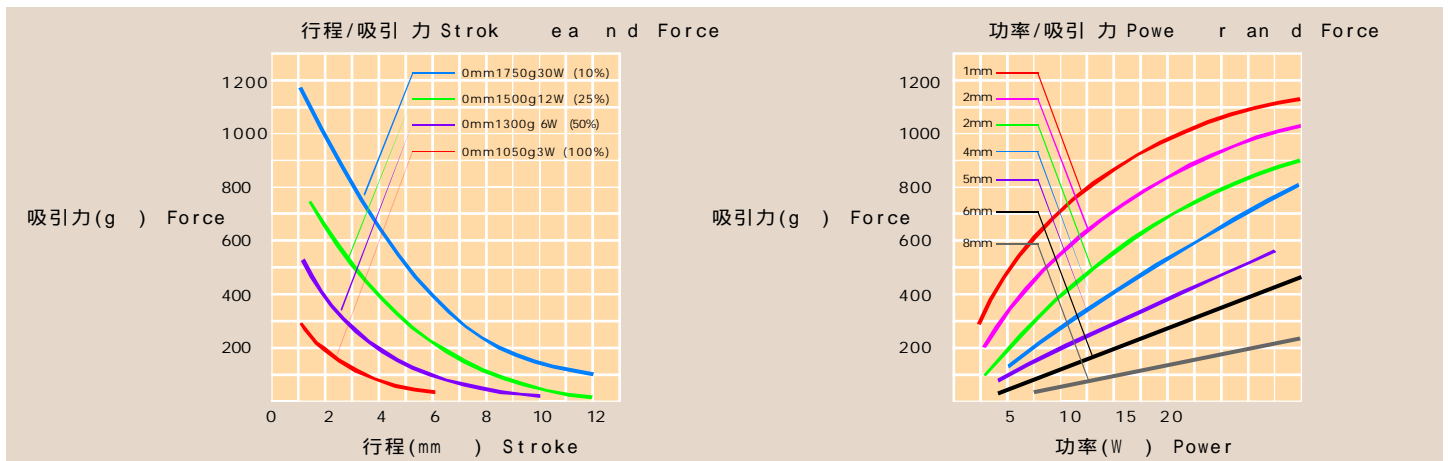


## ORDERING INFORMATION

代号编排

SD O-08 32 S- \* \* \*

ZANTY 宗泰  
 Open Frame Solenoid 开置式螺线管  
 Plunger dia(mm) 滑杆直径(mm)  
 Frame length(mm) 框架长度(mm)  
 Coil Resistance 线圈电阻 : \* Ω  
 SerialNumber 序号  
 Voltage 电压 :06:DC6V 12:DC12V 24:DC24V 48:DC48V  
 L: Pull Type 吸入式 S: Push Type 推出式



动作周期 (100%) ON时间/ON时间+OFF时间 Duty cycle(100%) "ON" time/"ON" time+"OFF" time		100%	50%	25%	10%
		连通 continuous	间断 intermittent		
最大ON时间 (秒) MAX "ON" Time in second		-	100	36	7
20°C 时的功率 watt at 20°C		3.0	6.0	12.0	30.0
型号 TYPE Number	电阻 resistance Ω	电压 volts DC			
SDO-0832S-06A	30	6	8.5	12	19
SDO-0832S-12A	120	12	17	24	38
SDO-0832S-24A	480	24	33.9	48	75.9
SDO-0832S-48A	1920	48	67.9	96	151.8



Shenzhen Zanty Electronics Co., Ltd.

Add.: Building C1,C2,B2, Jihua Industry District, Shenzhen, China P.C.:518112  
 Tel.:(+86 755) 2854 3752 Fax:(+86 755) 2854-3458  
 E-mail: Sales@Zanty.com Website: www.zanty.com