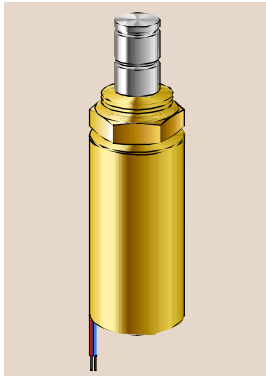
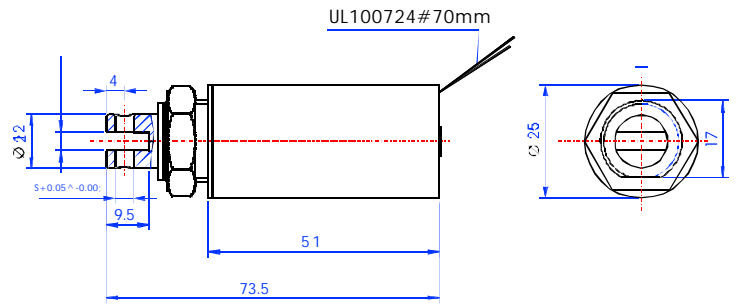


SDT-2551L TUBULAR SOLENOID



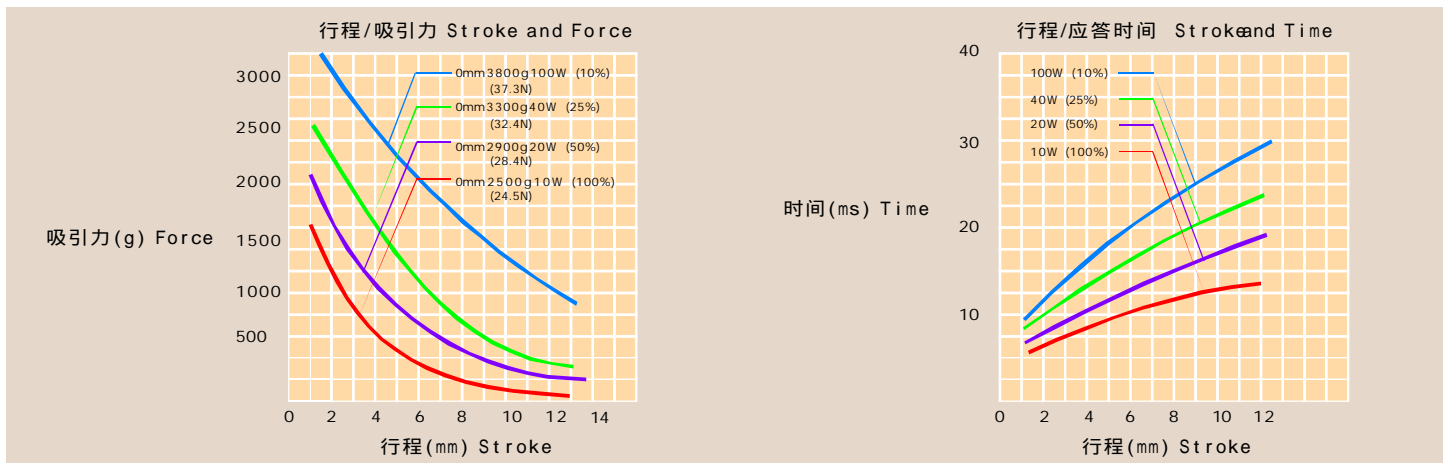
Total weight 总重量: 183g
Plunger weight 活塞重量: 32.6g



ORDERING INFORMATION 代号编排

SD T-25 51 L- * * *

ZANTY 宗泰
Tubular Solenoid 筒状电磁铁
Tube dia(mm) 圆筒直径(mm)
Tube length(mm) 圆筒长度(mm)
Coil Resistance 线圈电阻: * Ω
Serial number 序号
Voltage 电压: 06:DC6V 12:DC12V 24:DC24V 48:DC48V
L: Pull Type 吸入式 S: Push Type 推出式



动作周期 (100%) ON时间/ON时间+OFF时间 Duty cycle (100%) "ON" time/"ON" time + "OFF" time		100%	50%	25%	10%
		连通 continuous	间断 intermittent		
最大ON时间 (秒) MAX "ON" Time in second		-	360	32	8
20°C 时的功率 watt at 20°C		10	10	40	100
型号 TYPE Number	电阻 resistance Ω	电压 volts DC			
SDT-2551L-06A	3.6	6	8.5	12	19
SDT-2551L-12A	14.4	12	17	24	37.9
SDT-2551L-24A	57.6	24	33.9	48	75.9
SDT-2551L-48A	230.4	48	67.9	96	151.8



Shenzhen Zanty Electronics Co., Ltd.

Add.: Building C1,C2,B2, Jihua Industry District, Shenzhen, China
Tel.: (+86 755) 2854-3752
Fax: (+86 755) 2854-3458

P.C.: 518112

E-mail: Sales@Zanty.com
Website: www.zanty.com