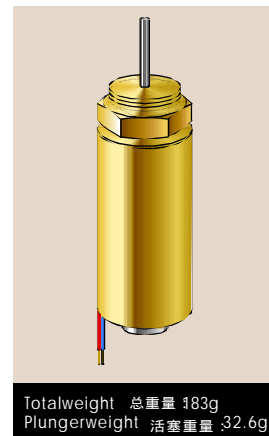
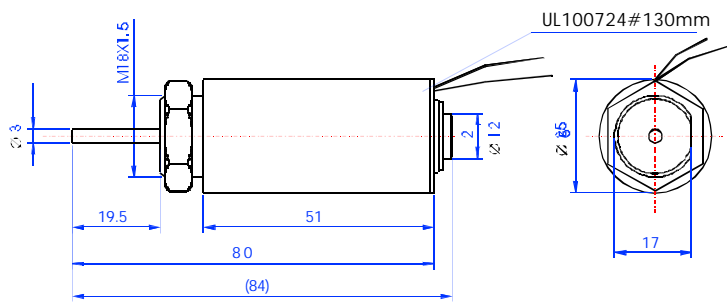


TUBULAR SOLENOID SDT-2551S



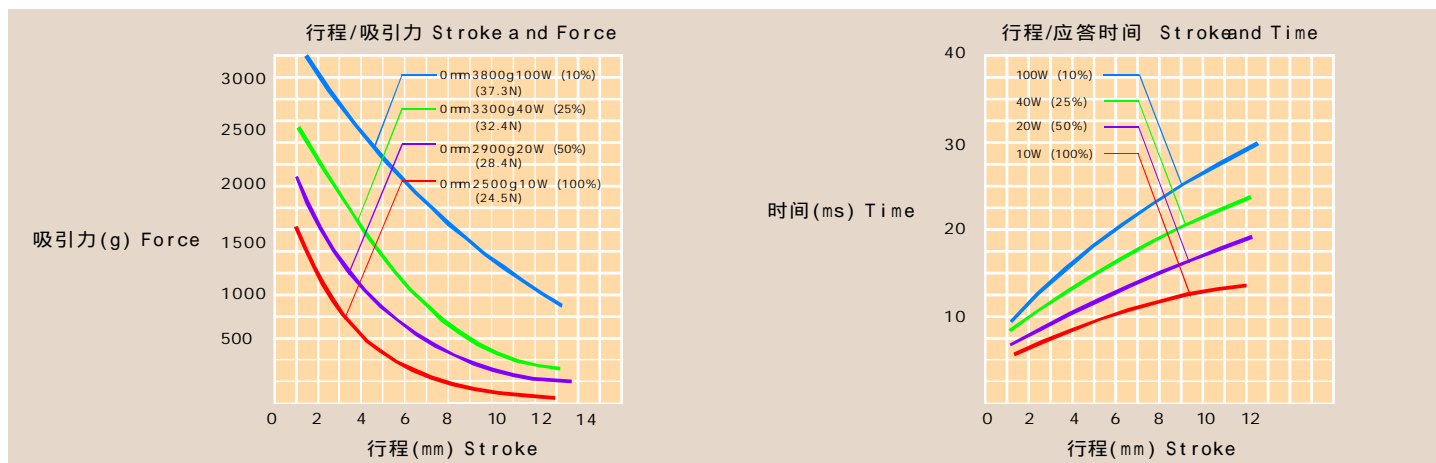
ORDERING INFORMATION

代号编排

SD T -25 51 S- * * *

ZANTY 宗泰
Tubular Solenoid 筒状电磁铁
Tube dia(mm) 圆筒直径(mm)
Tube length(mm) 圆筒长度(mm)

Coil Resistance 线圈电阻 : * Ω
SerialNumber 序号
Voltage 电压 :06:DC6V 12:DC12V 24:DC24V 48:DC48V
L:PullType 吸入式 S:Push Type 推出式



| 动作周期 (100%) ON时间/ON时间+OFF时间 Duty cycle (100%) "ON" time/"ON" time + "OFF" time | | 100% | 50% | 25% | 10% |
|---|-----------------|---------------|-----------------|-----|-------|
| | | 连通 continuous | 间断 intermittent | | |
| 最大ON时间 (秒) MAX "ON" Time in second | | - | 360 | 32 | 8 |
| 20°C 时的功率 watt at 20°C | | 10 | 10 | 40 | 100 |
| 型号 TYPE Number | 电阻 resistance Ω | 电压 volts DC | | | |
| SDT-2551S-06A | 3.6 | 6 | 8.5 | 12 | 19 |
| SDT-2551S-12A | 14.4 | 12 | 17 | 24 | 37.9 |
| SDT-2551S-24A | 57.6 | 24 | 33.9 | 48 | 75.9 |
| SDT-2551S-48A | 230.4 | 48 | 67.9 | 96 | 151.8 |



Shenzhen Zanty Electronics Co., Ltd.

Add.: Building C1,C2,B2, Jihua Industry District, Shenzhen, China
Tel.: (+86 755) 2854-3752
Fax: (+86 755) 2854-3458

P.C.: 518112

E-mail: Sales@Zanty.com
Website: www.zanty.com